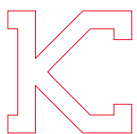




# ROLL

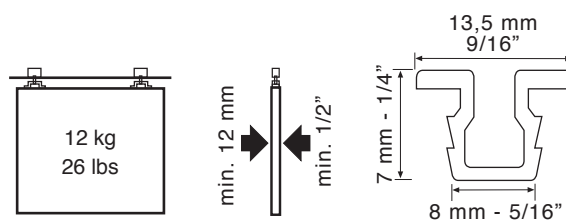
Sistema de puertas correderas  
Sliding doors system  
Système de portes coulissantes  
Schiebetür-System



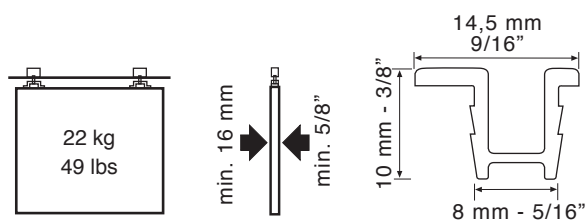
**KLEIN®**



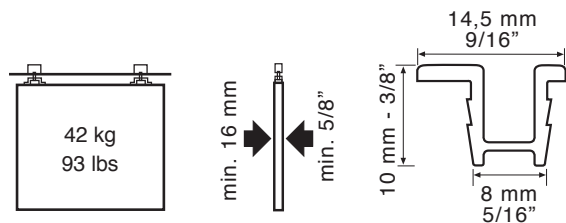
**ROLL 12**



**ROLL 22**



**ROLL 42**



**ESP**

**Roll está diseñado para apertura de muebles y armarios mediante varios paneles de madera correderos paralelos consiguiendo varios accesos dentro de la misma aplicación.**

- Ideal para armarios, muebles, archivadores...
- Diseño minimalista del mueble con un espacio reducido de 4 mm entre puerta y marco.
- Sistema práctico para funcionamiento operativo diario.
- Configuración con perfil empotrado o sobre puesto.
- Perfil inferior para un deslizamiento óptimo de las puertas.
- Perfil de PVC o de aluminio con varias opciones de colores.
- Sujeción de la puerta por sistema regulable en altura.
- Rodamiento de bolas o de fricción.
- Puerta de hasta 52 Kg.
- Instalación con perfil inferior y superior.

**Sistemas testados hasta 100.000 ciclos según la norma EN1527.**

**ENG**

**Roll has been designed for the openings of furniture and wardrobe doors by several parallel sliding wooden panels to give various access points within the same application.**

- Ideal for wardrobes, furniture, filing cabinets, etc.
- Minimalist design with a tiny gap of 4 mm between the door and frame.
- Practical system designed for daily use.
- Configuration with a recessed or overlaid profile.
- Lower profile to optimize the sliding action of the doors.
- PVC or aluminium profile in various colour options.
- Door is fixed using an adjustable height system.
- Ball bearing system or friction system.
- Door up to 52 Kg.
- Installation with an upper and lower profile.

**Systems tested up to 100.000 cycles as per standard EN1527.**

**FRA**

**Roll a été conçu pour l'ouverture de meubles et de placards avec plusieurs panneaux en bois à déplacement parallèle, il permet plusieurs accès dans la même application.**

- Idéal pour placards, meubles, meubles de rangement...
- Conception minimaliste du meuble, avec un espace réduit de 4 mm entre la porte et le cadre.
- Système pratique pour fonctionnement opérationnel quotidien.
- Configuration à rail encastré ou superposé.
- Rail inférieur qui permet le glissement parfait des portes.
- Rail en PVC ou aluminium, plusieurs couleurs en option.
- Fixation de la porte avec un système pour réglage de la hauteur.
- Roulement à billes ou friction.
- Porte 52 Kg. maximum.
- Installation avec rail inférieur et supérieur.

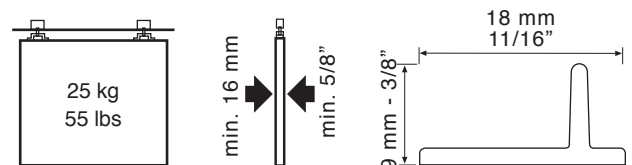
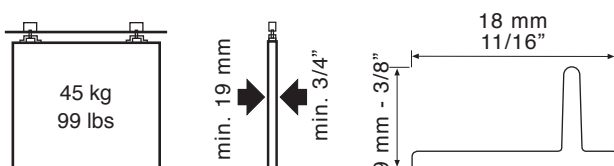
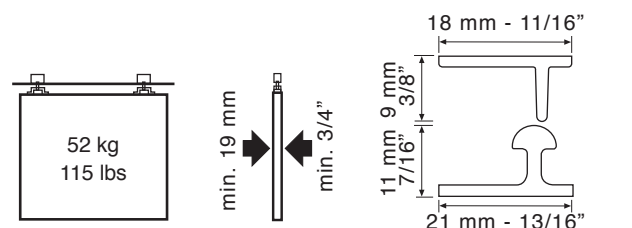
**Systèmes testés jusqu'à 100.000 cycles selon la norme EN1527.**

**DEU**

**Roll ist für die Öffnung von Möbeln und Schränken mit mehreren parallelen Schiebepaneelen aus Holz ausgelegt, wodurch mehrere Zugänge innerhalb derselben Öffnung erzielt werden.**

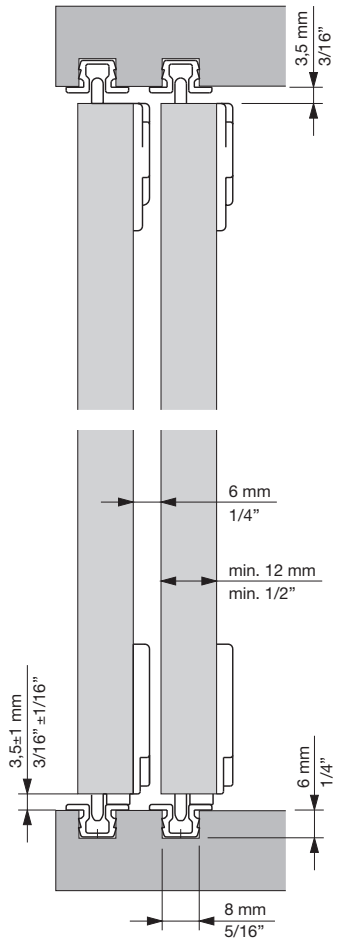
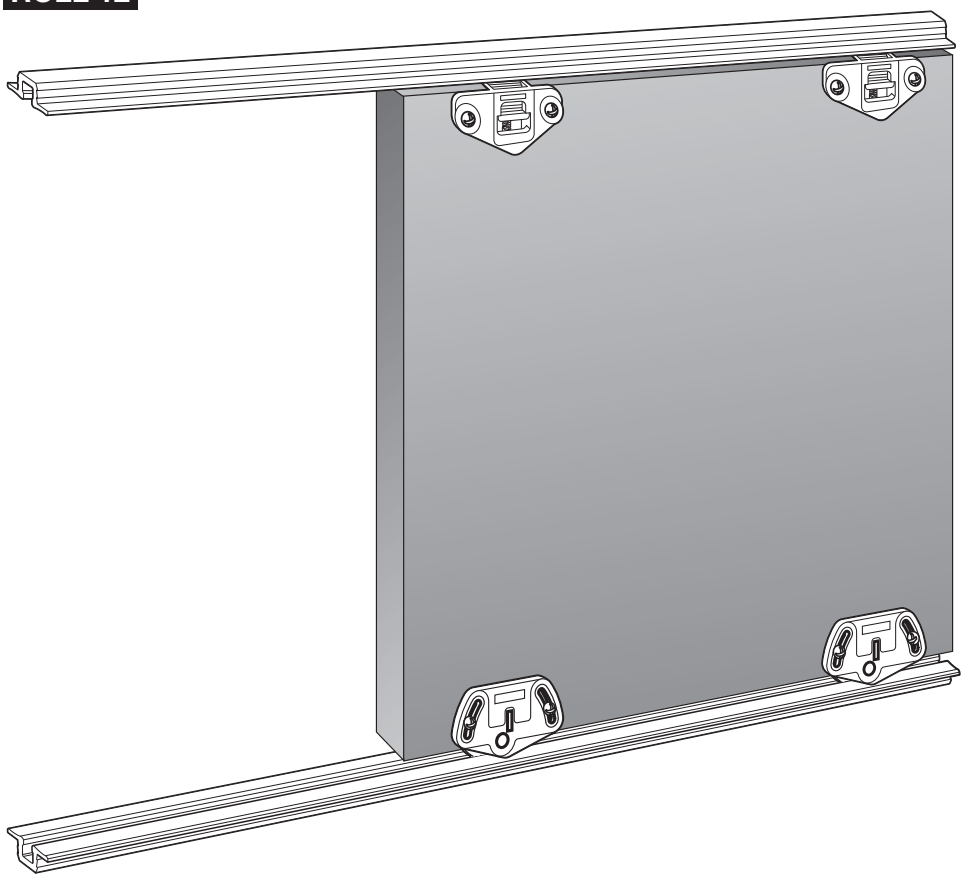
- Ideal für Schränke, Möbel, Aktenschränke...
- Minimalistisches Design des Möbels mit verringertem Zwischenraum von 4 mm zwischen Tür und Rahmen.
- Effizientes System für den täglichen Einsatz.
- Konfiguration mit eingebauter oder aufgesetzter Laufschiene.
- Bodenlaufschiene für optimales Gleiten der Türen.
- PVC-oder Aluminiumlaufschiene mit mehreren Farboptionen.
- Höhenverstellbare Türaufhängung.
- Kugellager oder friction system.
- Tür bis zu 52 Kg.
- Montage mit Boden- und Deckenlaufschiene.

**Systeme gemäß der Norm EN1527 mit 100.000 Zyklen getestet.**

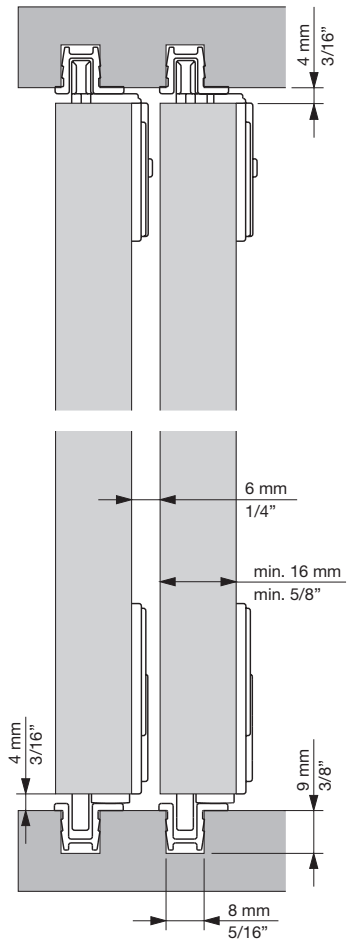
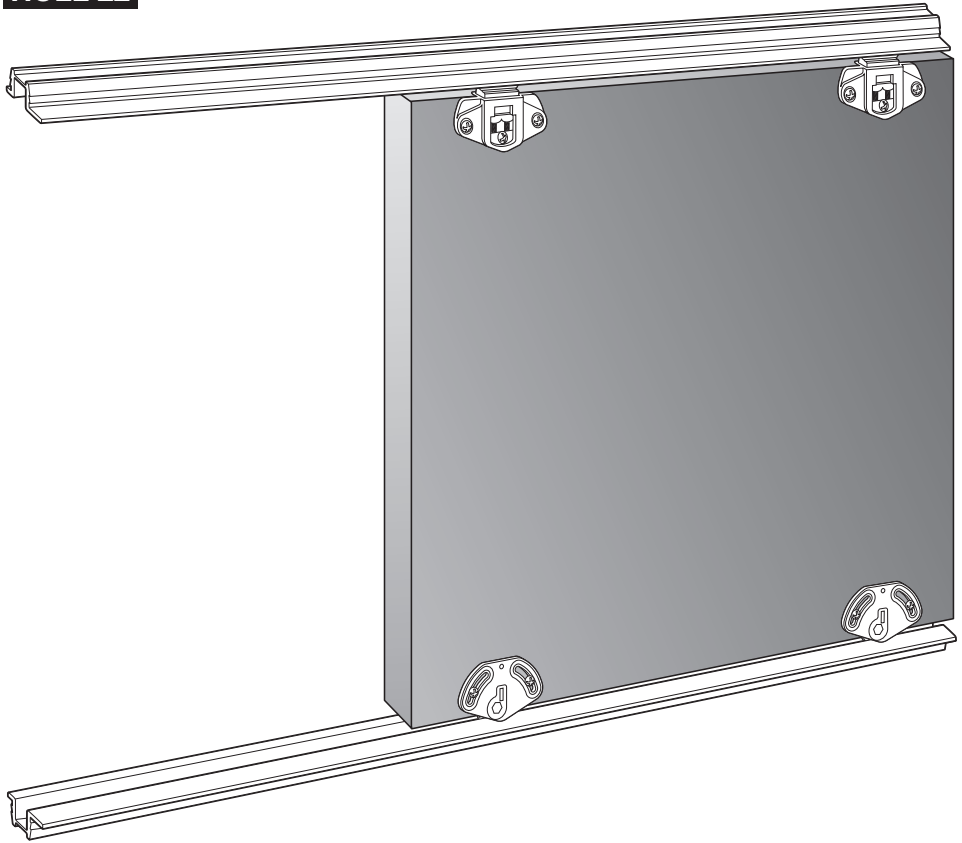
**ROLL 25****ROLL 45****ROLL 52**

# ROLL

## ROLL 12



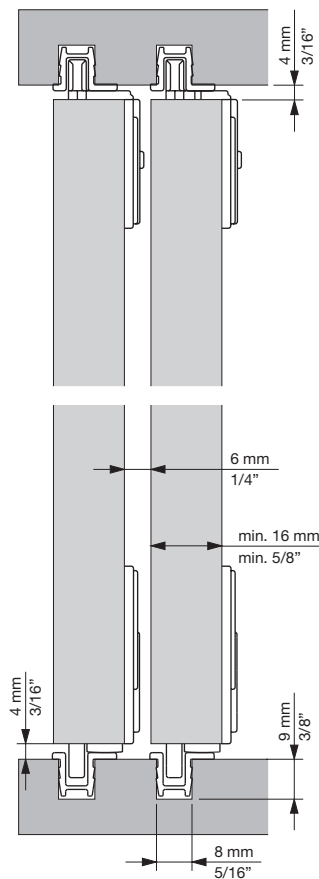
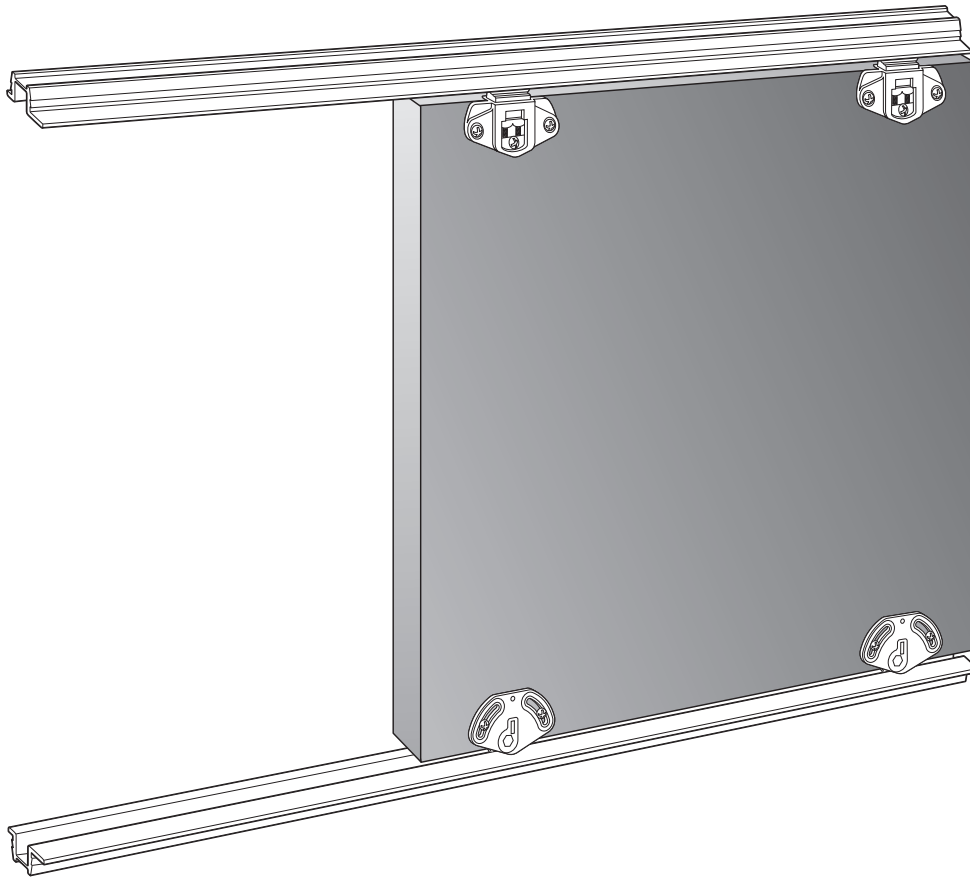
## ROLL 22



MUEBLES Y ARMARIOS / FURNITURE AND WARDROBES / ARMOIRES ET MEUBLES / MÖBEL UND SCHRÄNKE

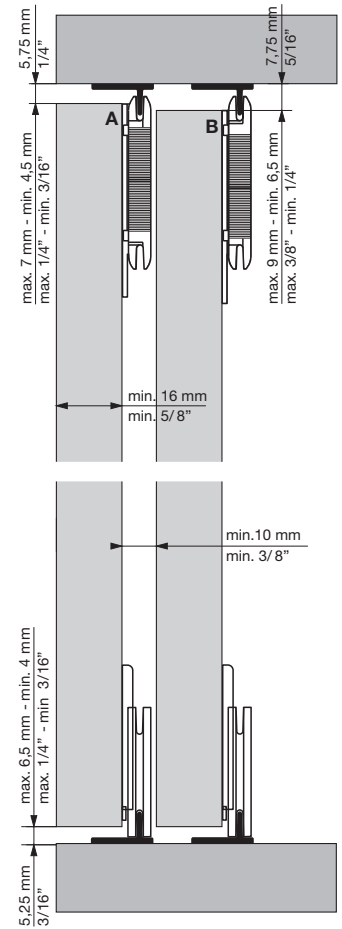
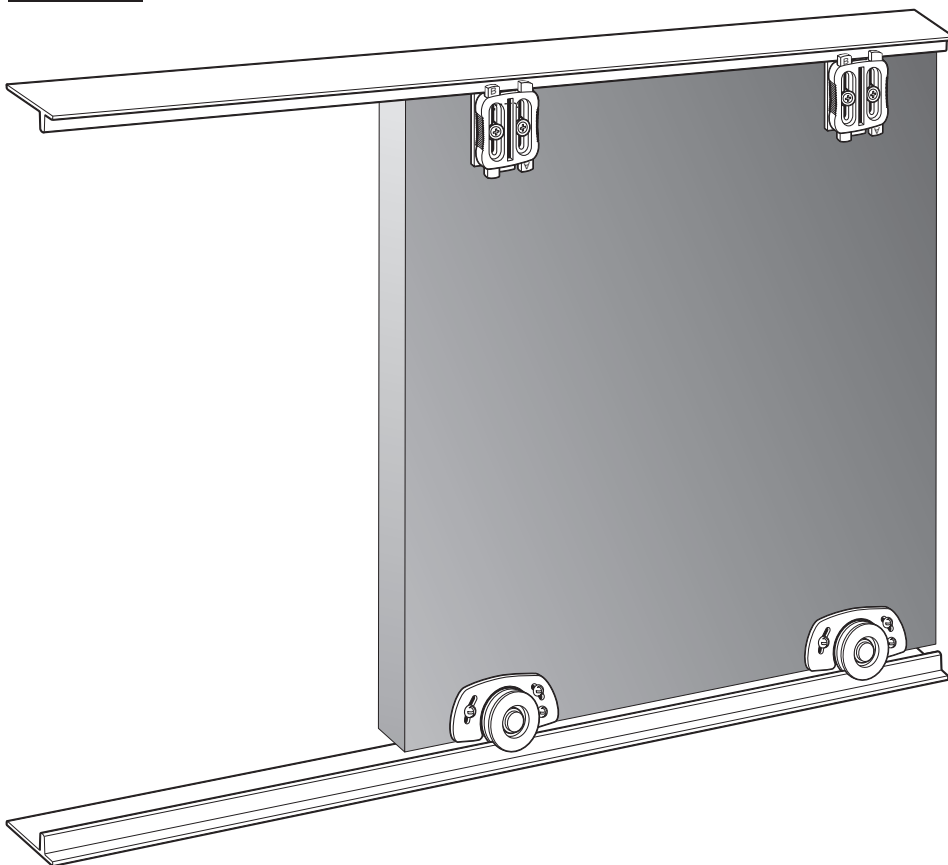
■ ROLL

■ ROLL 42

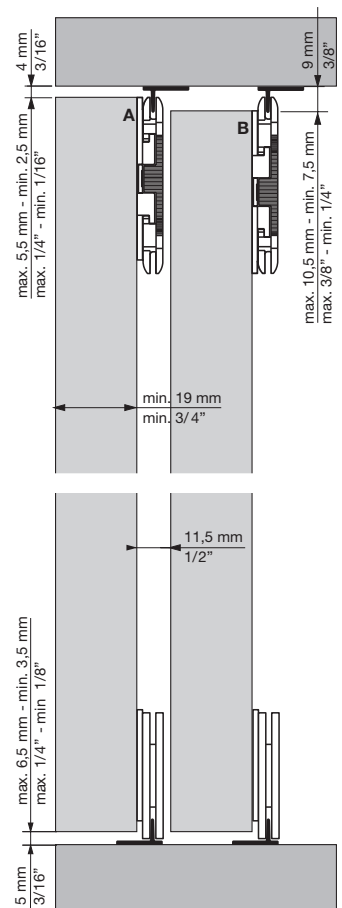
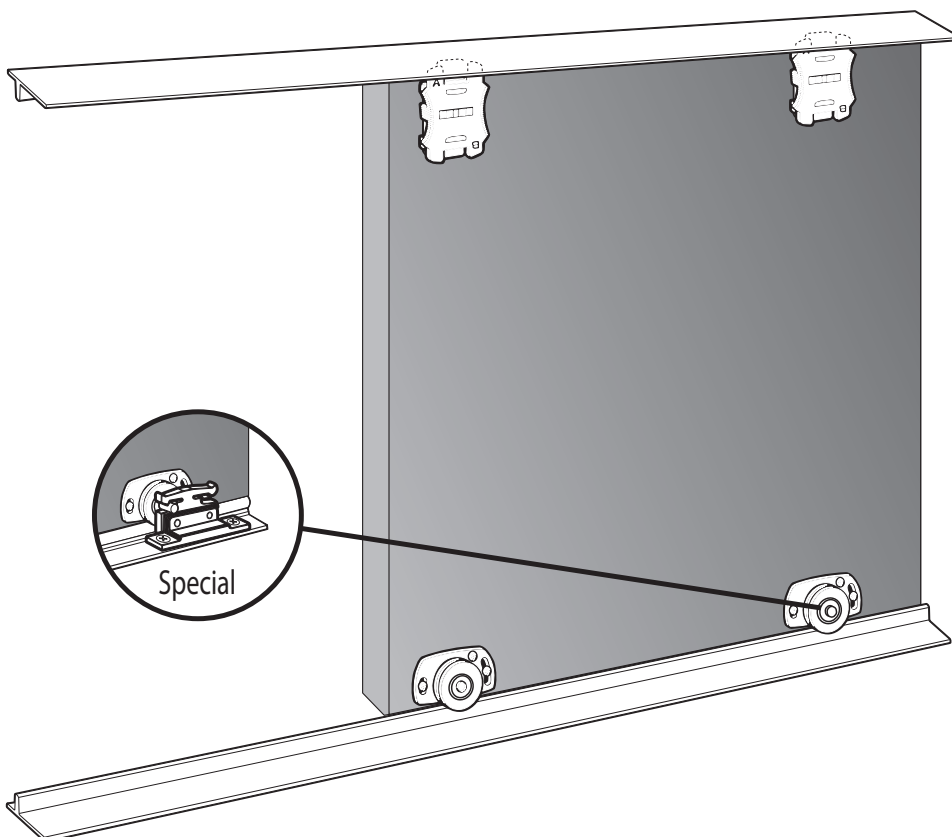


ROLL

ROLL 25



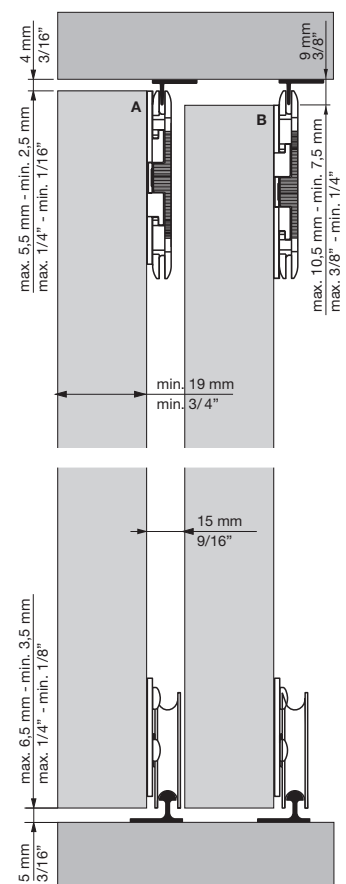
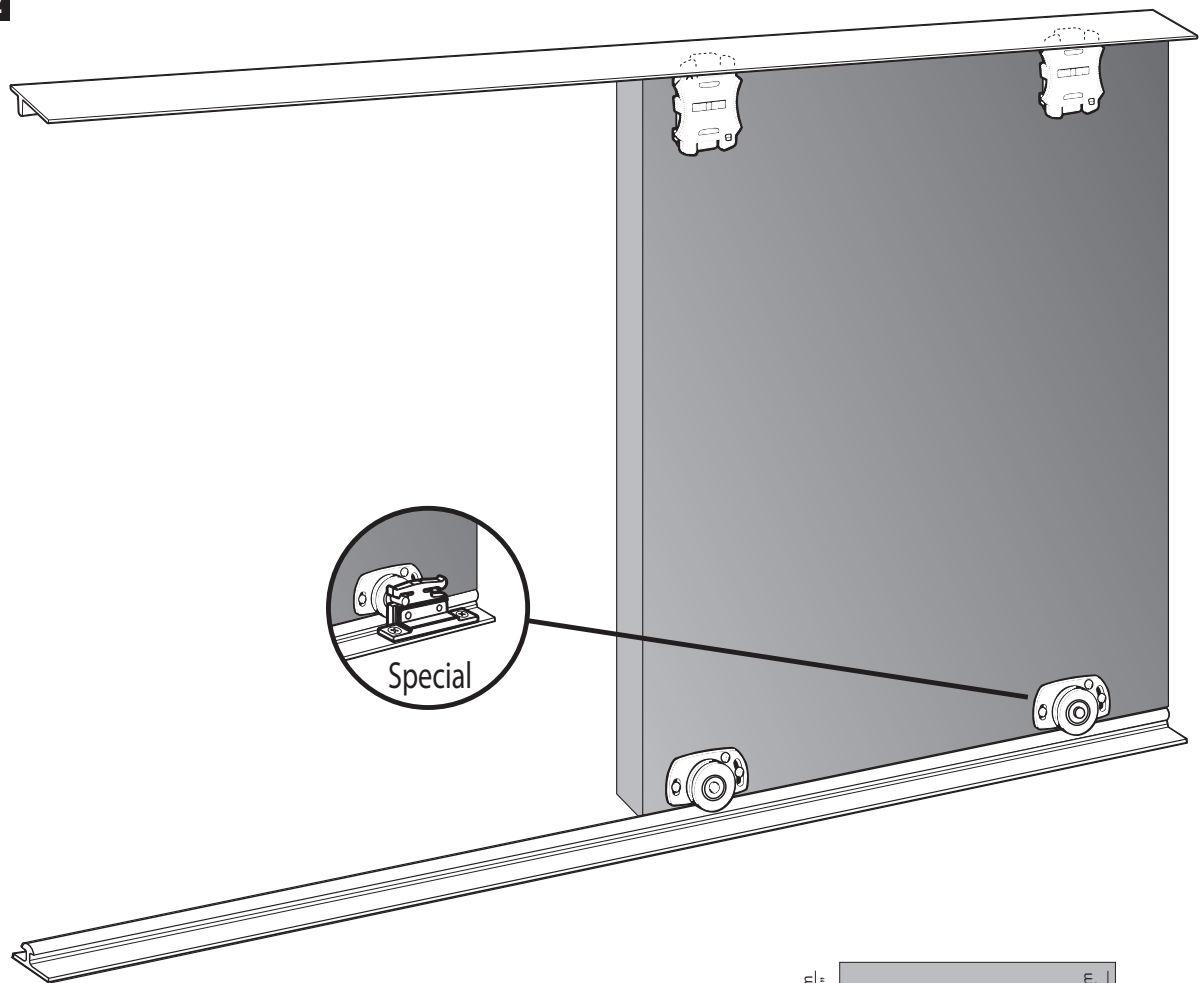
ROLL 45



MUEBLES Y ARMARIOS / FURNITURE AND WARDROBES / ARMOIRES ET MEUBLES / MÖBEL UND SCHRÄNKE

ROLL

ROLL 52



# ROLL

Referencias / References / Références / Referenz

## ESP

ROLL 12			
Ref.	Descripción	U.	Img.
3157	PF. SUP./INF. PVC MARRÓN 2m	25	A
3112	PF. SUP./INF. PVC MARRÓN 3m	25	A
3110	PF. SUP./INF. PVC MARRÓN 5m	25	A
3158	PF. SUP./INF. PVC BLANCO 2m	25	A
3113	PF. SUP./INF. PVC BLANCO 3m	25	A
3111	PF. SUP./INF. PVC BLANCO 5m	25	A
3155	PF. SUP./INF. PVC NEGRO 2m	25	A
3156	PF. SUP./INF. PVC NEGRO 3m	25	A
3153	PF. SUP./INF. PVC NEGRO 5m	25	A
3104	JGO. ACC. ROLL 12	20	E

ROLL 25 / ROLL 45			
Ref.	Descripción	U.	Img.
3180	PF. SUP./INF. ALU. SILVER 2m	20	C
3181	PF. SUP./INF. ALU. SILVER 3m	20	C
3182	PF. SUP./INF. ALU. SILVER 6m	20	C
3183	PF. SUP./INF. ALU. NEGRO 2m	20	C
3184	PF. SUP./INF. ALU. NEGRO 3m	20	C
3185	PF. SUP./INF. ALU. NEGRO 6m	20	C
3290	PF. SUP./INF. ALU. BRASS 2m	20	C
3291	PF. SUP./INF. ALU. BRASS 3m	20	C
3292	PF. SUP./INF. ALU. BRASS 6m	20	C
3189	PF. SUP./INF. ALU. NATURAL 6m	20	C
3100	JGO. ACC. ROLL 25	20	H
3191	JGO. ACC. ROLL 45	10	I
3192	JGO. ACC. ROLL 45 ESPECIAL	10	J
3233	TOPE RETENEDOR ESPECIAL	100	N

ROLL 22 / ROLL 42			
Ref.	Descripción	U.	Img.
3125	PF. SUP./INF. PVC MARRÓN 2m	20	B
3126	PF. SUP./INF. PVC MARRÓN 3m	20	B
3194	PF. SUP./INF. PVC MARRÓN 5m	20	B
3211	PF. SUP./INF. PVC BLANCO 2m	20	B
3214	PF. SUP./INF. PVC BLANCO 3m	20	B
3216	PF. SUP./INF. PVC BLANCO 5m	20	B
3218	PF. SUP./INF. PVC NEGRO 2m	20	B
3220	PF. SUP./INF. PVC NEGRO 3m	20	B
3222	PF. SUP./INF. PVC NEGRO 5m	20	B
3149	JGO. ACC. ROLL 22	20	F
3144	JGO. ACC. ROLL 42	20	G
3105	TOPE RETENEDOR MARRÓN	10	M
3107	TOPE RETENEDOR BLANCO	10	M
3109	TOPE RETENEDOR NEGRO	10	M

ROLL 52			
Ref.	Descripción	U.	Img.
3180	PF. ALU. SILVER 2m	20	C
3181	PF. ALU. SILVER 3m	20	C
3182	PF. ALU. SILVER 6m	20	C
3183	PF. ALU. NEGRO 2m	20	C
3184	PF. ALU. NEGRO 3m	20	C
3185	PF. ALU. NEGRO 6m	20	C
3290	PF. ALU. BRASS 2m	20	C
3291	PF. ALU. BRASS 3m	20	C
3292	PF. ALU. BRASS 6m	20	C
3189	PF. ALU. NATURAL 6m	20	C
3280	PF. INF. ALU. SILVER 2m	10	D
3281	PF. INF. ALU. SILVER 3m	10	D
3282	PF. INF. ALU. SILVER 6m	10	D
3283	PF. INF. ALU. NEGRO 2m	10	D
3284	PF. INF. ALU. NEGRO 3m	10	D
3285	PF. INF. ALU. NEGRO 6m	10	D
3293	PF. INF. ALU. BRASS 2m	10	D
3294	PF. INF. ALU. BRASS 3m	10	D
3295	PF. INF. ALU. BRASS 6m	10	D
3286	PF. INF. ALU. NATURAL 6m	10	D
3201	JGO. ACC. ROLL 52	10	K
3202	JGO. ACC. ROLL 52 ESPECIAL	10	L
3233	TOPE RETENEDOR ESPECIAL	100	N



MUEBLES Y ARMARIOS / FURNITURE AND WARDROBES / ARMOIRES ET MEUBLES / MÖBEL UND SCHRÄNKE



Referencias / References / Références / Referenz

## ENG

ROLL 12			
Ref.	Description	Units	Img.
3157	PF. TOP/BOTTOM PVC BROWN 2m	25	A
3112	PF. TOP/BOTTOM PVC BROWN 3m	25	A
3110	PF. TOP/BOTTOM PVC BROWN 5m	25	A
3158	PF. TOP/BOTTOM PVC WHITE 2m	25	A
3113	PF. TOP/BOTTOM PVC WHITE 3m	25	A
3111	PF. TOP/BOTTOM PVC WHITE 5m	25	A
3155	PF. TOP/BOTTOM PVC BLACK 2m	25	A
3156	PF. TOP/BOTTOM PVC BLACK 3m	25	A
3153	PF. TOP/BOTTOM PVC BLACK 5m	25	A
3104	SET OF ACC. ROLL 12	20	E

ROLL 25 / 45			
Ref.	Description	Units	Img.
3180	PF. TOP/BOTTOM ALU. SILVER 2m	20	C
3181	PF. TOP/BOTTOM ALU. SILVER 3m	20	C
3182	PF. TOP/BOTTOM ALU. SILVER 6m	20	C
3183	PF. TOP/BOTTOM ALU. BLACK 2m	20	C
3184	PF. TOP/BOTTOM ALU. BLACK 3m	20	C
3185	PF. TOP/BOTTOM ALU. BLACK 6m	20	C
3290	PF. TOP/BOTTOM ALU. BRASS 2m	20	C
3291	PF. TOP/BOTTOM ALU. BRASS 3m	20	C
3292	PF. TOP/BOTTOM ALU. BRASS 6m	20	C
3189	PF. TOP/BOTTOM ALU. MILL FINISH 6m	20	C
3100	SET OF ACC. ROLL 25	20	H
3191	SET OF ACC. ROLL 45	10	I
3192	SET OF ACC. ROLL 45 SPECIAL	10	J
3233	SPECIAL STOPPER BRAKE	100	N

ROLL 22 / 42			
Ref.	Description	Units	Img.
3125	PF. TOP/BOTTOM PVC BROWN 2m	20	B
3126	PF. TOP/BOTTOM PVC BROWN 3m	20	B
3194	PF. TOP/BOTTOM PVC BROWN 5m	20	B
3211	PF. TOP/BOTTOM PVC WHITE 2m	20	B
3214	PF. TOP/BOTTOM PVC WHITE 3m	20	B
3216	PF. TOP/BOTTOM PVC WHITE 5m	20	B
3218	PF. TOP/BOTTOM PVC BLACK 2m	20	B
3220	PF. TOP/BOTTOM PVC BLACK 3m	20	B
3222	PF. TOP/BOTTOM PVC BLACK 5m	20	B
3149	SET OF ACC. ROLL 22	20	F
3144	SET OF ACC. ROLL 42	20	G
3105	BROWN STOPPER BRAKE	10	M
3107	WHITE STOPPER BRAKE	10	M
3109	BLACK STOPPER BRAKE	10	M

ROLL 52			
Ref.	Description	Units	Img.
3180	PF. ALU. SILVER 2m	20	C
3181	PF. ALU. SILVER 3m	20	C
3182	PF. ALU. SILVER 6m	20	C
3183	PF. ALU. BLACK 2m	20	C
3184	PF. ALU. BLACK 3m	20	C
3185	PF. ALU. BLACK 6m	20	C
3290	PF. ALU. BRASS 2m	20	C
3291	PF. ALU. BRASS 3m	20	C
3292	PF. ALU. BRASS 6m	20	C
3189	PF. ALU. MILL FINISH 6m	20	C
3280	BOTTOM PF. ALU. SILVER 2m	10	D
3281	BOTTOM PF. ALU. SILVER 3m	10	D
3282	BOTTOM PF. ALU. SILVER 6m	10	D
3283	BOTTOM PF. ALU. BLACK 2m	10	D
3284	BOTTOM PF. ALU. BLACK 3m	10	D
3285	BOTTOM PF. ALU. BLACK 6m	10	D
3293	BOTTOM PF. ALU. BRASS 2m	10	D
3294	BOTTOM PF. ALU. BRASS 3m	10	D
3295	BOTTOM PF. ALU. BRASS 6m	10	D
3286	BOTTOM PF. ALU. MILL FINISH 6m	10	D
3201	SET OF ACC. ROLL 52	10	K
3202	SET OF ACC. ROLL 52 SPECIAL	10	L
3233	SPECIAL STOPPER BRAKE	100	N



Referencias / References / Références / Referenz

## FRA

ROLL 12			
Ref.	Description	Unités	Img.
3157	RAIL SUP./INF. PVC MARRON 2m	25	A
3112	RAIL SUP./INF. PVC MARRON 3m	25	A
3110	RAIL SUP./INF. PVC MARRON 5m	25	A
3158	RAIL SUP./INF. PVC BLANC 2m	25	A
3113	RAIL SUP./INF. PVC BLANC 3m	25	A
3111	RAIL SUP./INF. PVC BLANC 5m	25	A
3155	RAIL SUP./INF. PVC NOIR 2m	25	A
3156	RAIL SUP./INF. PVC NOIR 3m	25	A
3153	RAIL SUP./INF. PVC NOIR 5m	25	A
3104	JEU. ACC. ROLL 12	20	E

ROLL 25 / ROLL 45			
Ref.	Description	Unités	Img.
3180	RAIL SUP./INF. ALU. SILVER 2m	20	C
3181	RAIL SUP./INF. ALU. SILVER 3m	20	C
3182	RAIL SUP./INF. ALU. SILVER 6m	20	C
3183	RAIL SUP./INF. ALU. NOIR 2m	20	C
3184	RAIL SUP./INF. ALU. NOIR 3m	20	C
3185	RAIL SUP./INF. ALU. NOIR 6m	20	C
3290	RAIL SUP./INF. ALU. BRASS 2m	20	C
3291	RAIL SUP./INF. ALU. BRASS 3m	20	C
3292	RAIL SUP./INF. ALU. BRASS 6m	20	C
3189	RAIL SUP./INF. ALU. NATUREL 6m	20	C
3100	JEU. ACC. ROLL 25	20	H
3191	JEU. ACC. ROLL 45	10	I
3192	JEU. ACC. ROLL 45 SPE.	10	J
3233	FREIN DE RETENTION SPECIAL	100	N

ROLL 22 / ROLL 42			
Ref.	Description	Unités	Img.
3125	RAIL SUP./INF. PVC MARRON 2m	20	B
3126	RAIL SUP./INF. PVC MARRON 3m	20	B
3194	RAIL SUP./INF. PVC MARRON 5m	20	B
3211	RAIL SUP./INF. PVC BLANC 2m	20	B
3214	RAIL SUP./INF. PVC BLANC 3m	20	B
3216	RAIL SUP./INF. PVC BLANC 5m	20	B
3218	RAIL SUP./INF. PVC NOIR 2m	20	B
3220	RAIL SUP./INF. PVC NOIR 3m	20	B
3222	RAIL SUP./INF. PVC NOIR 5m	20	B
3149	JEU. ACC. ROLL 22	20	F
3144	JEU. ACC. ROLL 42	20	G
3105	FREIN DE RETENTION MARRON	10	M
3107	FREIN DE RETENTION BLANC	10	M
3109	FREIN DE RETENTION NOIR	10	M

ROLL 52			
Ref.	Description	Unités	Img.
3180	RAIL ALU. SILVER 2m	20	C
3181	RAIL ALU. SILVER 3m	20	C
3182	RAIL ALU. SILVER 6m	20	C
3183	RAIL ALU. NOIR 2m	20	C
3184	RAIL ALU. NOIR 3m	20	C
3185	RAIL ALU. NOIR 6m	20	C
3290	RAIL ALU. BRASS 2m	20	C
3291	RAIL ALU. BRASS 3m	20	C
3292	RAIL ALU. BRASS 6m	20	C
3189	RAIL ALU. NATUREL 6m	20	C
3280	RAIL INF. ALU. SILVER 2m	10	D
3281	RAIL INF. ALU. SILVER 3m	10	D
3282	RAIL INF. ALU. SILVER 6m	10	D
3283	RAIL INF. ALU. NOIR 2m	10	D
3284	RAIL INF. ALU. NOIR 3m	10	D
3285	RAIL INF. ALU. NOIR 6m	10	D
3293	RAIL INF. ALU. BRASS 2m	10	D
3294	RAIL INF. ALU. BRASS 3m	10	D
3295	RAIL INF. ALU. BRASS 6m	10	D
3286	RAIL INF. ALU. NATUREL 6m	10	D
3201	JEU. ACC. ROLL 52	10	K
3202	JEU. ACC. ROLL 52 SPE.	10	L
3233	FREIN DE RETENTION SPECIAL	100	N



Referencias / References / Références / Referenz

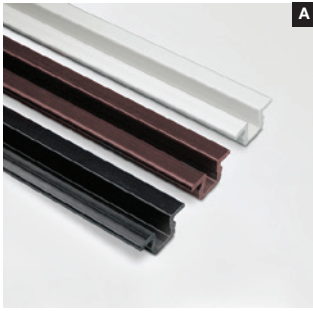
## DEU

ROLL 12			
Ref.	Beschreibung	Ein.	Bild
3157	PF. OBEN/UNTEN PVC BRAUN 2m	25	A
3112	PF. OBEN/UNTEN PVC BRAUN 3m	25	A
3110	PF. OBEN/UNTEN PVC BRAUN 5m	25	A
3158	PF. OBEN/UNTEN PVC WEISS 2m	25	A
3113	PF. OBEN/UNTEN PVC WEISS 3m	25	A
3111	PF. OBEN/UNTEN PVC WEISS 5m	25	A
3155	PF. OBEN/UNTEN PVC SCHWARZ 2m	25	A
3156	PF. OBEN/UNTEN PVC SCHWARZ 3m	25	A
3153	PF. OBEN/UNTEN PVC SCHWARZ 5m	25	A
3104	ZUBEHÖRSET ROLL 12	20	E

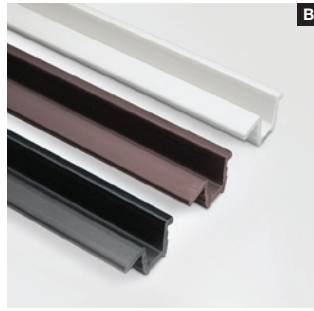
ROLL 25 / ROLL 45			
Ref.	Beschreibung	Ein.	Bild
3180	PF. OBEN/UNTEN ALU. SILBER 2m	20	C
3181	PF. OBEN/UNTEN ALU. SILBER 3m	20	C
3182	PF. OBEN/UNTEN ALU. SILBER 6m	20	C
3183	PF. OBEN/UNTEN ALU. SCHWARZ 2m	20	C
3184	PF. OBEN/UNTEN ALU. SCHWARZ 3m	20	C
3185	PF. OBEN/UNTEN ALU. SCHWARZ 6m	20	C
3290	PF. OBEN/UNTEN ALU. MESSING 2m	20	C
3291	PF. OBEN/UNTEN ALU. MESSING 3m	20	C
3292	PF. OBEN/UNTEN ALU. MESSING 6m	20	C
3189	PF. OBEN/UNTEN ALU. NATUR 6m	20	C
3100	ZUBEHÖRSET ROLL 25	20	H
3191	ZUBEHÖRSET ROLL 45	10	I
3192	SATZ SPEZIALZUBEHÖR ROLL 45	10	J
3233	SPEZIALLER BREMSEN/STOPPER	100	N

ROLL 22 / 42			
Ref.	Beschreibung	Ein.	Bild
3125	PF. OBEN/UNTEN PVC BRAUN 2m	20	B
3126	PF. OBEN/UNTEN PVC BRAUN 3m	20	B
3194	PF. OBEN/UNTEN PVC BRAUN 5m	20	B
3211	PF. OBEN/UNTEN PVC WEISS 2m	20	B
3214	PF. OBEN/UNTEN PVC WEISS 3m	20	B
3216	PF. OBEN/UNTEN PVC WEISS 5m	20	B
3218	PF. OBEN/UNTEN PVC SCHWARZ 2m	20	B
3220	PF. OBEN/UNTEN PVC SCHWARZ 3m	20	B
3222	PF. OBEN/UNTEN PVC SCHWARZ 5m	20	B
3149	ZUBEHÖRSET ROLL 22	20	F
3144	ZUBEHÖRSET ROLL 42	20	G
3105	BRAUNER BREMSEN/STOPPER	10	M
3107	WEISSER BREMSEN/STOPPER	10	M
3109	SCHWARZER BREMSEN/STOPPER	10	M

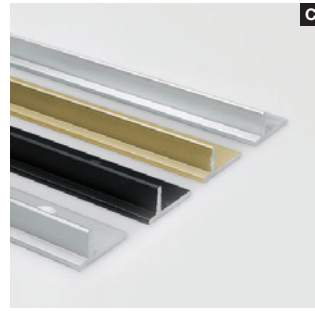
ROLL 52			
Ref.	Beschreibung	Ein.	Bild
3180	PF. OBEN/UNTEN ALU. SILBER 2m	20	C
3181	PF. OBEN/UNTEN ALU. SILBER 3m	20	C
3182	PF. OBEN/UNTEN ALU. SILBER 6m	20	C
3183	PF. OBEN/UNTEN ALU. SCHWARZ 2m	20	C
3184	PF. OBEN/UNTEN ALU. SCHWARZ 3m	20	C
3185	PF. OBEN/UNTEN ALU. SCHWARZ 6m	20	C
3290	PF. OBEN/UNTEN ALU. MESSING 2m	20	C
3291	PF. OBEN/UNTEN ALU. MESSING 3m	20	C
3292	PF. OBEN/UNTEN ALU. MESSING 6m	20	C
3189	PF. OBEN/UNTEN ALU. NATUR 6m	20	C
3280	UNTERES PF. ALU. SILBER 2m	10	D
3281	UNTERES PF. ALU. SILBER 3m	10	D
3282	UNTERES PF. ALU. SILBER 6m	10	D
3283	UNTERES PF. ALU. SCHWARZ 2m	10	D
3284	UNTERES PF. ALU. SCHWARZ 3m	10	D
3285	UNTERES PF. ALU. SCHWARZ 6m	10	D
3293	PF. UNTEN ALU. MESSING 2m	10	D
3294	PF. UNTEN ALU. MESSING 3m	10	D
3295	PF. UNTEN ALU. MESSING 6m	10	D
3286	UNTERES PF. ALU. NATUR 6m	10	D
3201	ZUBEHÖRSET ROLL 52	10	K
3202	SATZ SPEZIALZUBEHÖR ROLL 52	10	L
3233	SPEZIALLER BREMSEN/STOPPER	100	N

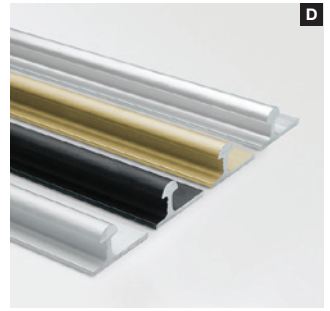
A



B



C



D



E



F



G



H



I



J



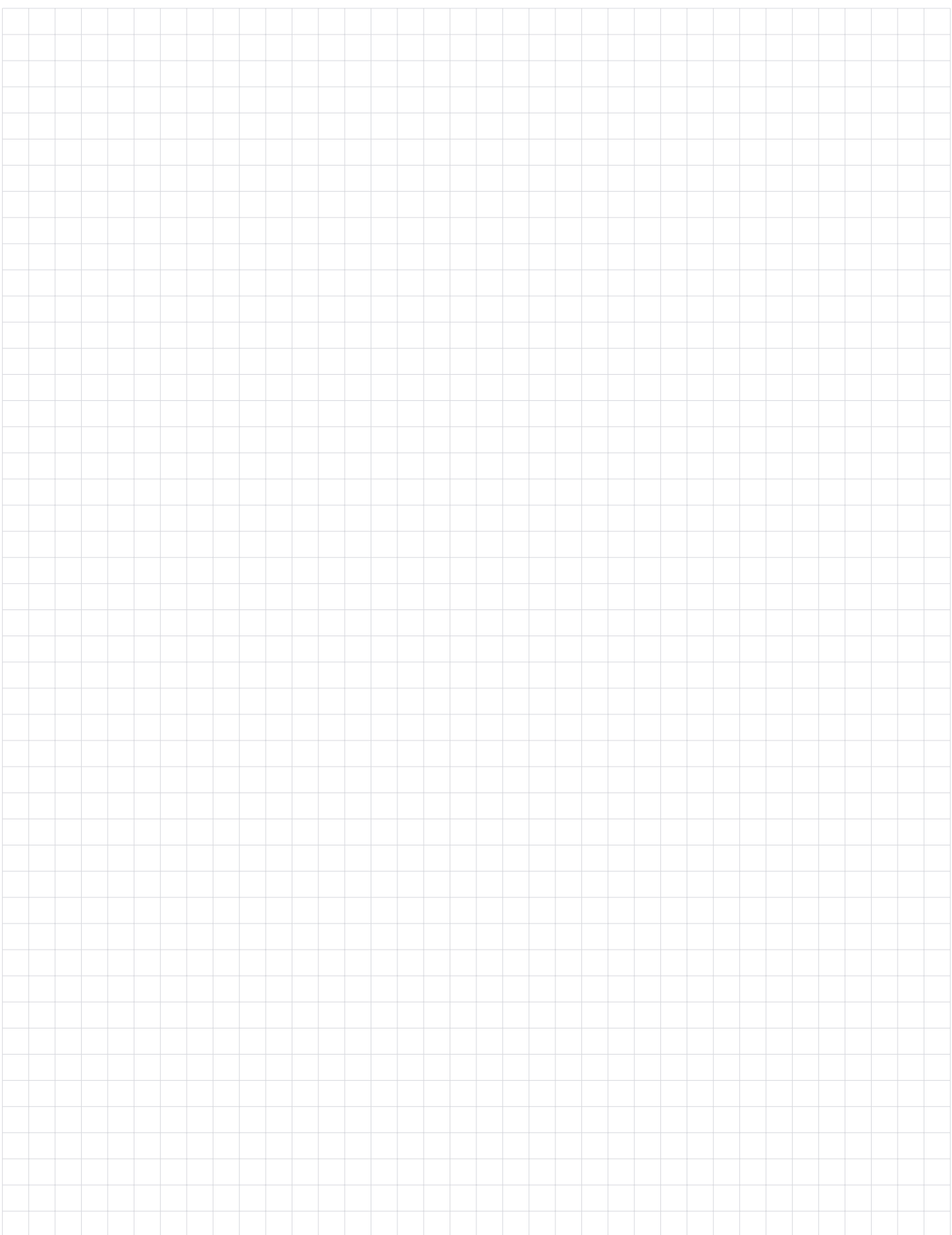
K



L

■ ROLL



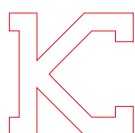






Ver nuestras condiciones de ventas /  
See conditions in our sales policy

416-0970-12-15 V007



**KLEIN EUROPE**

Edificio KLEIN  
Polígono Industrial Can Cuyás  
N-150 Km.1  
08110 Montcada i Reixac  
(Barcelona-Spain)

Tel: (+34) 935 760 101  
Fax: (+34) 935 760 109

+INFO  
klein@klein.es  
[www.klein-europe.com](http://www.klein-europe.com)

**KLEIN®**